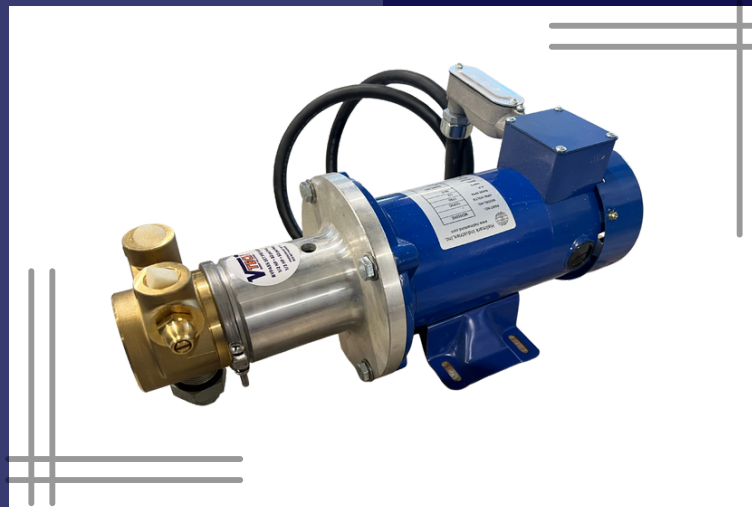


V-MAG

BRASS & STAINLESS STEEL
MAGNET DRIVE ROTARY
VANE PUMP



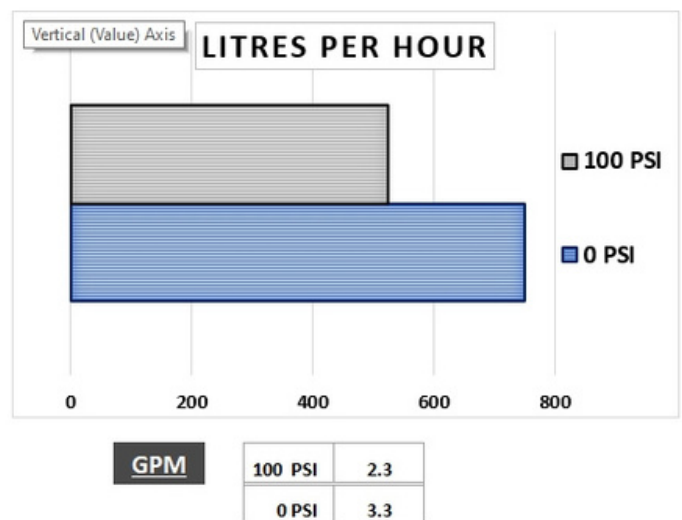
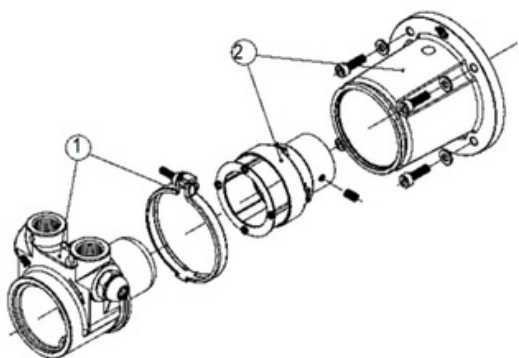
- ✓ Longer Service Life
- ✓ Low Maintenance
- ✓ Less Power Consumption
- ✓ Smooth Transmission
- ✓ Fully Sealed Body



V-MAG VANE PUMP

- High Performance
- Perfect Alignment between Pump and Motor
- Longer Life of the Unit
- Multiple Configuration Options

COMBINES LARGER FLOW RATE WITH THE ADDED BENEFIT OF MAGNETIC COUPLING



MAIN APPLICATIONS

- Cooling Systems
- Water Treatment
- Booster Systems
- Solar Systems